

BOLT NOVA

SPECIFICATION SHEET
RGBW OUTDOOR - NOVALINK EDITION

NEXT GEN NATATORIUM-RATED RGBW FLOODLIGHT

Housing

Diameter : 23" x 28.9" x 16" (500W), 23" x 41.3" x 20.4" (750W)
Weight : 44 lbs (500W), 77 lbs (750W)

Material

Housing : High Pressure Die-Cast Aluminum, Tempered Glass
Mounting : Corrosion-resistant fluorocarbon-coated steel
Lens : PC Lens

Power Input

500W, 750W | 277V, 347-480V

Lumen Output

41,910 lm (500W), 62,890 lm (750W)

Dimming

DMX : High resolution dims to 1%
DALI : DT6 (4 Channel) control dims to 1%

Color Quality

CRI 85

Rated Life

> 100,000 Hours (L70)

Finish



Black



White

Color Temperature



3000K

+



RGB

Optics



30°



60°



Asymmetric

Mounting



Stem
Mount

Warranty

7 Year limited warranty

Listing



IK10

Evolved With Color To Excel In Challenging Environments

We've enhanced the acclaimed Bolt Nova, taking its proven durability and natatorium-ready engineering a step further. This new variation adds full RGBW color capabilities to the robust, IP66-rated, corrosion-resistant package you trust.

Now featuring both direct and indirect mounting options, the Bolt Nova RGBW delivers the same reliable performance with the added power of dynamic color control for any demanding sports or aquatic environment.



METEOR

meteor-lighting.com

SPECIFICATION

PROJECT NAME

DATE

CATALOG #

QUANTITY

The product configurator function on this page works only with the latest version of Chrome or Adobe Acrobat Reader.

<input type="checkbox"/> BLTNL	MODEL	BOLT NOVA-NOVALINK EDITION		
<input type="checkbox"/>	DIRECTION	D Down	U Up	
<input type="checkbox"/>	WATTAGE	500 500W	750 750W	
<input type="checkbox"/> C308	CCT / CRI	C308 RGBW (RGB + 3000K / CRI85)		
<input type="checkbox"/>	VOLTAGE	277 277V	HVT 347-480V	
<input type="checkbox"/>	DIMMING	DMX DMX dims to 1%	DALI DT6 (4 Channel) control dims to 1%	
<input type="checkbox"/>	BEAM ANGLE	30 30°	60 60°	ASY Asymmetric
<input type="checkbox"/>	FINISH	BLK Black	WHT White	
<input type="checkbox"/>	MOUNTING	ST2 Stem 2 ft	ST4 Stem 4 ft	ST6 Stem 6 ft
<input type="checkbox"/>	RATING	OUT¹ Outdoor Rating	NAT² Natatorium Rating	
<input type="checkbox"/>	ACCESSORIES	GSV³ Glare Shield Visor	WG⁴ Wire Guard (IK10 Rating)	

CLEAR FORM

¹ Outdoor Rating: Coating and wiring will be changed to high UV resistant and corrosion resistant materials for long term operation in outdoor environments
² Natatorium rating: Coating and sealant will be changed to high corrosion resistant materials to prevent damage from long term exposure to chlorine vapors
³ GSV option reduces delivered lumens by ~15% (~5% with ASY)
⁴ WG option reduces delivered lumens by ~30%

TECHNICAL DETAILS

Electrical

- 41,910 lm (500W), 62,890 lm (750W)
- Power Input : High Voltage Range (277-480V)
- Operating Temperature : -40°F~121°F
- Surge Protection : Built-in is 20KV

LED Features

- Color Temperature : 3000K + RGB
- CRI 85
- Long lasting LED luminaire tested under TM21 lumen maintenance L70 @ 100,000 Hrs

Optics

- Precision molded high transmittance clear PC lens
- Beam Angle : 30°, 60°, Asymmetric

Advanced Dimming

- DMX : High resolution dims to 1%
- DALI : DT6 (4 Channel) control dims to 1%

Housing

- Diameter : 23" x 28.9" x 16" (500W), 23" x 41.3" x 20.4" (750W)
- Material : High Pressure Die-Cast Aluminum, Corrosion-resistant fluorocarbon-coated steel, Tempered Glass
- Weight : 44 lbs (500W), 77 lbs (750W)

Mounting

- Stem 2 ft / 4 ft / 6 ft

Warranty

- 7-year limited warranty

Listing

- ETL Wet Location Listed
- FCC
- IP66
- IK10 (Wire Guard)

PERFORMANCE SUMMARY*

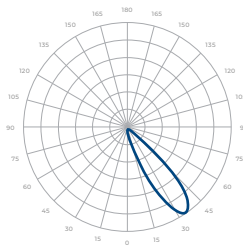
Delivered Lumens					Current Consumption			
CCT/WATTAGE	R	G	B	W	WATTAGE / VOLT	277V	347V	480V
500W	125W	125W	125W	125W	500W	1.99A	1.59A	1.15A
	8,660lm	16,000lm	4,490lm	12,760lm		2.98A	2.38A	1.72A
750W	188W	188W	188W	188W	750W	2.98A	2.38A	1.72A
	13,000lm	24,000lm	6,740lm	19,150lm				

*Beam Angle: 60° *Tolerance ±8%

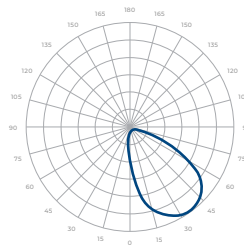
PHOTOMETRICS*

Below is a typical photometric representation of the Bolt Nova fixture. Please download IES files to ensure exact photometric value.

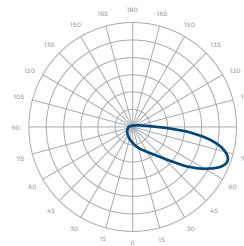
*35° Tilt



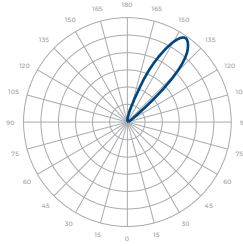
30° DIRECT



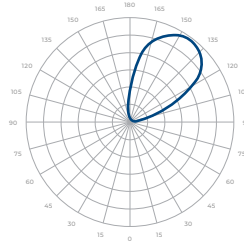
60° DIRECT



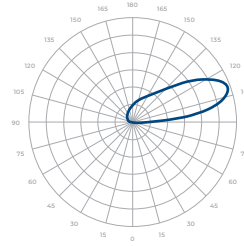
ASYMMETRIC DIRECT



30° INDIRECT



60° INDIRECT



ASYMMETRIC INDIRECT

DMX REQUIREMENTS

The Bolt Nova RGBW fixture with DMX is a **four channel dmx** unit. When placing an order, please indicate DMX address. (The DMX address will be listed on the back of the fixture). Do not connect more than 32 fixtures per DMX daisy chain.

DMX Address (W+RGB)				
Channel Fixture	Red Control (ex. X)	Green Control (ex. X+1)	Blue Control (ex. X+2)	White Control (ex. X+3)
#1	1	2	3	4
#2	5	6	7	8
#3	9	10	11	12

*The White Control channel adjusts the brightness of 3000K LEDs.

The fixture can be connected with XLR sockets. DMX cables **are not** included; please refer to compatible DMX cabling list for more information. The final fixture on each daisy chain should be terminated by the use of a DMX terminator purchased from a 3rd party or from Meteor.

CONNECTION	RJ45 (CAT5e)	5-PIN XLR
Common	WHITE/BROWN(PIN7) & BROWN (PIN 8)	PIN 1
Signal -	ORANGE (PIN 2)	PIN 2
Signal +	WHITE/ORANGE (PIN 1)	PIN 3
Spare	-	PIN 4
Spare	-	PIN 5



The DMX connection for this fixture must be **hard-wired**; please refer to the wiring diagram in the installation guide for detailed instructions. DMX cables are not included; please refer to the compatible DMX cabling list for more information. The final fixture on each daisy chain should be terminated by the use of a DMX terminator purchased from a 3rd party or from Meteor.

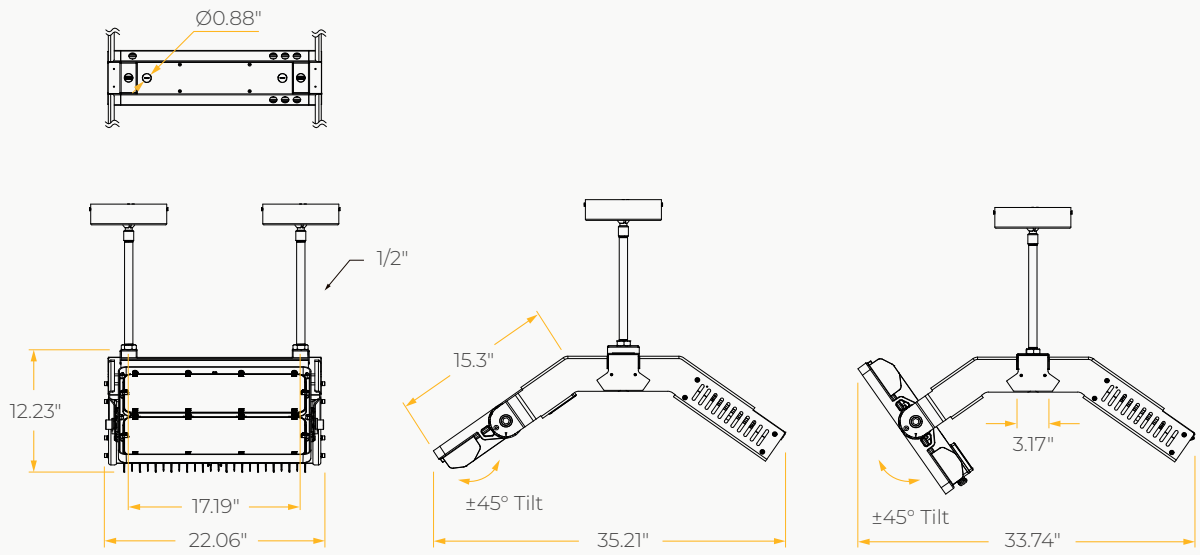
COMPATIBLE DMX CABLING LIST

DMX uses a cable consisting of two twisted pairs plus a shield to carry data. The cable must be specifically impedance matched for the digital DMX signal, meaning that microphone cable or other non-rated cable **must not be used to carry DMX**. Network cable (Cat5, 5e or 6 cable) may be used to carry DMX in an installation; however special consideration must be given to shielding and termination. Under no circumstances should solid core cable like Cat5 be terminated into a screw down connector.

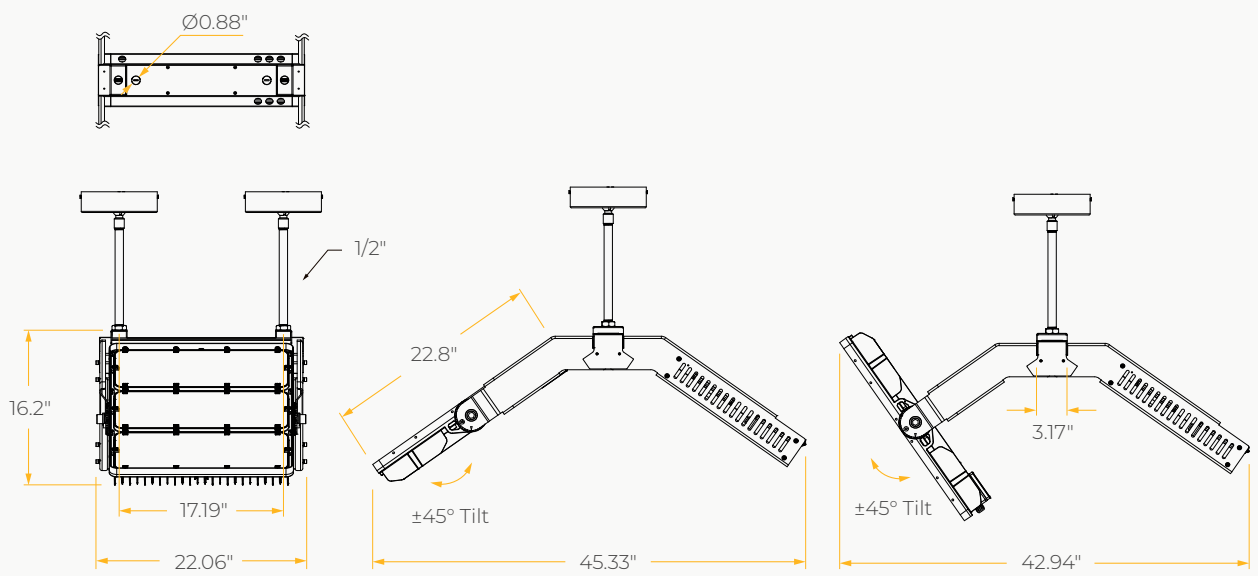
Meteor recommends the use of Belden 9729 or Belden 9841 for DMX installation. Belden 9729/9841 is a two pair cable, which allows for a spare pair for 'out and back' type terminations if needed.

DIMENSIONS

500W Stem

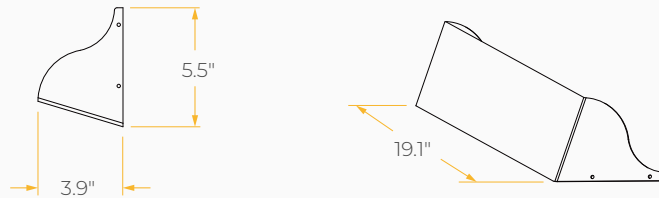


750W Stem



ACCESSORIES

500W / 750W Glare Shield Visor For 30°/60°



500W / 750W Glare Shield Visor For Asymetric



500W / 750W Wire Guard

